

# HomeFit<sup>®</sup>

Working from home. You want to, but that place at the dining table really isn't all that good for your back. And you don't have room for a separate desk either. This is about to change with HomeFit<sup>®</sup>. From a small cabinet to a seated or standing workstation in the blink of an eye!



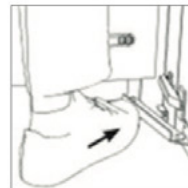
HomeFit<sup>®</sup> as a cabinet against the wall



HomeFit<sup>®</sup> as sit/stand workstation

## Specifications

- sit/stand desk, adjustable in height between 68 and 118 cm frame
- the frame and height adjustment is made of black metal
- aluminium handle
- anti-collision height adjustment (adjustment stops automatically in the event of counter pressure)
- door lock in open position (The right door automatically locks when opened to prevent the furniture from tipping over. The lock can be released with a simple foot movement.)
- doors fitted with castors for easy opening and stability when opened
- convenient metal storage tray for laptop and other accessories
- HomeFit<sup>®</sup> is delivered fully assembled
- HomeFit<sup>®</sup> is delivered in a cardboard box



automatic door lock

## Technique

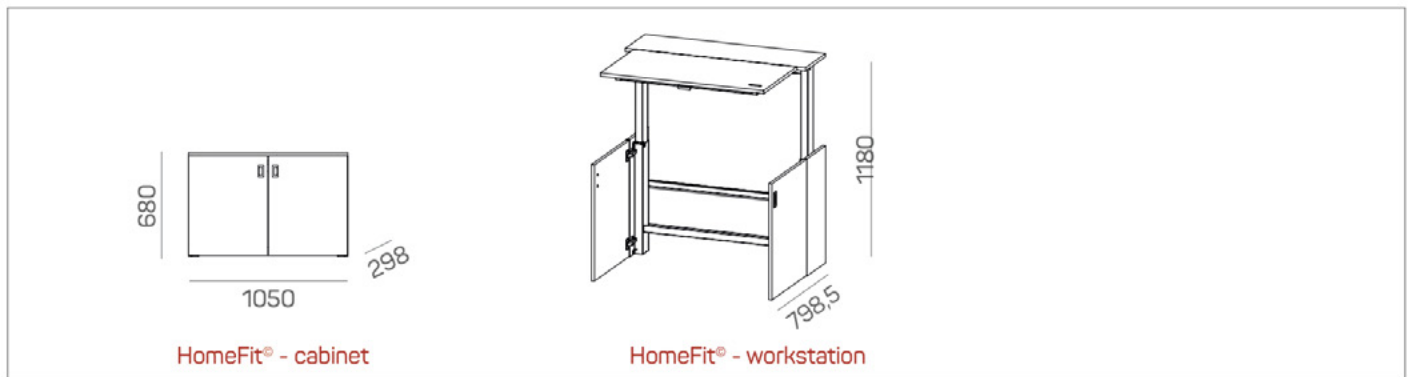
**sit-stand: 68-118 cm**



- height is electrically adjustable via display in the table top, seating side right
- height adjustment in compliance with NEN EN 527-1:2011 type D

## Delivery time

- 15 working days for the following standard colours, for addresses in the UK
  - completely white
  - black body and top with oak natural worktop
  - completely oak natural
- 4-6 weeks for other colours
- available from November 2020



## Materials - tops

- PEFC™ 18 mm MFC with LaserTec(\*) edge finish
- colours in accordance with colour charts "Décors - Core collection" and "Décors - Trend collection"
- always choose two colours:
  - body and top (always the same colour)
  - worktop

(\*) Seamless LaserTec-PP- edge finish on all colours from the Core collection. Other colours with standard ABS edge finish based on colour chart

## Materials - frame

- made from high-grade calibrated steel in the colour black, finished with an impact-resistant powder coating
- top supports on visible sides, legs, feet and worktop traverse in a black epoxy finish

## Quality labels

HomeFit<sup>®</sup> quality labels:



- table tops: available as responsible certified PEFC™- or FSC® wood
- high-end LaserTec edge finish on the wooden panels
- NEN-NPR 1813: guideline for office furniture and their application
- NEN-EN 527-1: European standard for work tables and desks



- ISO 9001 - quality
- ISO 14001 - environment
- ISO 26000 - CSR guidelines
- ILO - labour and social standards